

WH BK

## Axilar largo

- Multiple combo design in trim with frame and trimless with no frame.
- Design in 20W and 10W in option, medium beam and flood beam in option.
- Free in all direction with 30 degree tilt, open air ventilation design reduce the operation temperature.
- Good choice for shop and retail business.

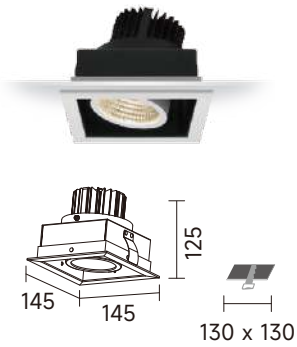


20°



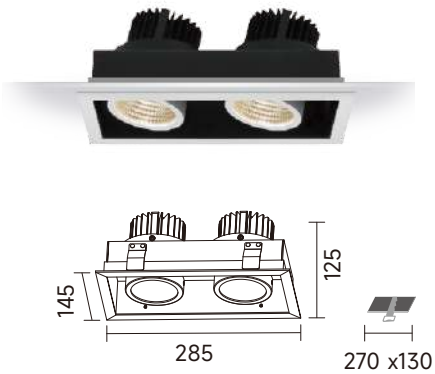
40°

DALI TRIAC LED IP20 0-10V RA>80 RA>90



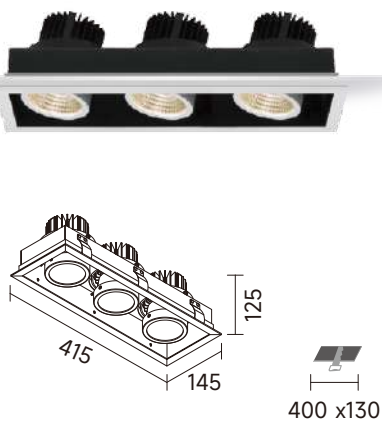
CODE	Watts	CCT	Beam	Lumen
85616-202S	20W	WL 2700K	20°	1861 lm
85616-202L	20W	WL 2700K	40°	1800 lm
85616-203S	20W	WL 3000K	20°	1919 lm
85616-203L	20W	WL 3000K	40°	1856 lm
85616-204S	20W	NL 4000K	20°	2110 lm
85616-204L	20W	NL 4000K	40°	2041 lm

DALI TRIAC LED IP20 0-10V RA>80 RA>90



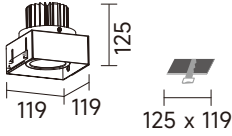
CODE	Watts	CCT	Beam	Lumen
85626-402S	20W * 2	WL 2700K	20°	3555 lm
85626-402L	20W * 2	WL 2700K	40°	3509 lm
85626-403S	20W * 2	WL 3000K	20°	3665 lm
85626-403L	20W * 2	WL 3000K	40°	3618 lm
85626-404S	20W * 2	NL 4000K	20°	4031 lm
85626-404L	20W * 2	NL 4000K	40°	3979 lm

DALI TRIAC LED IP20 0-10V RA>80 RA>90



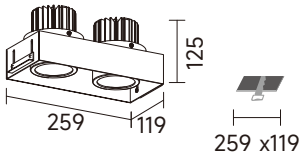
CODE	Watts	CCT	Beam	Lumen
85636-602S	20W * 3	WL 2700K	20°	5262 lm
85636-602L	20W * 3	WL 2700K	40°	5205 lm
85636-603S	20W * 3	WL 3000K	20°	5425 lm
85636-603L	20W * 3	WL 3000K	40°	5366 lm
85636-604S	20W * 3	NL 4000K	20°	5967 lm
85636-604L	20W * 3	NL 4000K	40°	5902 lm

DALI TRIAC LED IP20 0-10V RA>80 RA>90



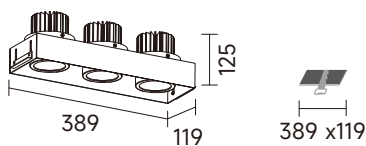
CODE	Watts	CCT	Beam	Lumen
85616T-202S	20W	WL 2700K	20°	1861 lm
85616T-202L	20W	WL 2700K	40°	1800 lm
85616T-203S	20W	WL 3000K	20°	1919 lm
85616T-203L	20W	WL 3000K	40°	1856 lm
85616T-204S	20W	NL 4000K	20°	2110 lm
85616T-204L	20W	NL 4000K	40°	2041 lm

DALI TRIAC LED IP20 0-10V RA>80 RA>90



CODE	Watts	CCT	Beam	Lumen
85626T-402S	20W * 2	WL 2700K	20°	3555 lm
85626T-402L	20W * 2	WL 2700K	40°	3509 lm
85626T-403S	20W * 2	WL 3000K	20°	3665 lm
85626T-403L	20W * 2	WL 3000K	40°	3618 lm
85626T-404S	20W * 2	NL 4000K	20°	4031 lm
85626T-404L	20W * 2	NL 4000K	40°	3979 lm

DALI TRIAC LED IP20 0-10V RA>80 RA>90



CODE	Watts	CCT	Beam	Lumen
85636T-602S	20W * 3	WL 2700K	20°	5262 lm
85636T-602L	20W * 3	WL 2700K	40°	5205 lm
85636T-603S	20W * 3	WL 3000K	20°	5425 lm
85636T-603L	20W * 3	WL 3000K	40°	5366 lm
85636T-604S	20W * 3	NL 4000K	20°	5967 lm
85636T-604L	20W * 3	NL 4000K	40°	5902 lm